



## ELECTRIC DRIFT TRIKE



# OWNER'S MANUAL

**Read and understand this entire manual before allowing child to use this product! For assistance contact Razor.  
DO NOT RETURN TO STORE.**

**NOTE: Manual illustrations are for demonstration purposes only.  
Illustrations may not reflect exact appearance of actual product.  
Specifications subject to change without notice.**

**Please have your product along with the 19 character product I.D. code with you  
before contacting Razor for warranty assistance and/or replacement parts.**

**Product I.D. Code: \_\_\_\_\_ - \_\_\_\_\_ - \_\_\_\_\_**



# CONTENTS

Safety Warnings.....	1-2	Usage.....	6
Before You Begin.....	3	Repair and Maintenance.....	9-13
Assembly and Set-Up.....	4-7	Troubleshooting Guide.....	14
Charging the Battery.....	7	Product Parts.....	15
Pre-Ride Checklist.....	8	Warranty and Contact Information.....	18

# SAFETY WARNINGS

**⚠ WARNING:** The DXT Electric Drift Trike is not the same as an “ordinary” tricycle and therefore may require greater skill to ride than an ordinary tricycle. It is not for young children. The DXT Electric Drift Trike is designed to allow movement forward and extreme sideways drifting. Using this product requires open space, free of other traffic or obstacles, and it is best ridden by a practiced rider aware of the product’s capabilities and willing to accept risks associated with drifts and fast moving actions.

Riding any product can be a hazardous activity. Certain conditions may cause the equipment to fail without fault of the manufacturer. Like other products, the DXT Electric Drift Trike can and is intended to move, and it is therefore possible to lose control, fall off and/or get into dangerous situations that no amount of care, instruction or expertise can eliminate. If such things occur you can be seriously injured or die, even when using safety equipment and other precautions. **RIDE AT YOUR OWN RISK AND USE COMMON SENSE.**

**⚠ WARNING: NOT FOR CHILDREN UNDER AGE 16 OR HEAVIER THAN 198 LB (90 KG). PARENTAL AND ADULT RESPONSIBILITY AND SUPERVISION NECESSARY:** Because products, like the DXT Electric Drift Trike, can and do present potential hazards plainly associated with their use, it is well recognized THE NEED FOR EXERCISE OF PARENTAL RESPONSIBILITY IN SELECTING RIDING PRODUCTS APPROPRIATE TO THE AGE OF A CHILD, OR PARENTAL SUPERVISION IN SITUATIONS IN WHICH CHILDREN OF VARIOUS AGES MAY HAVE ACCESS TO THE SAME RIDING PRODUCTS, IS IMPORTANT. Not every product is appropriate for every age or size of child, and different age recommendations are found within this category of product which are intended to reflect the nature of the hazards and the expected mental or physical ability, or both, of a child to cope with the hazards. **Razor recommends that the DXT Electric Drift Trike be ridden only by riders aged 16 and up. A parent’s decision to allow his or her child to ride this product should be based on the child’s maturity, skill, and ability to follow rules. Razor emphasizes that adults are strongly advised not to disregard Razor’s recommendations or permit younger children to ride the DXT Electric Drift Trike.**

DO NOT EXCEED THE WEIGHT LIMIT OF 198 lb (90 kg). Rider weight alone also does not necessarily mean a person’s size is appropriate to fit or maintain control of the DXT Electric Drift Trike. Keep this product away from small children and remember that only persons who are, at a minimum, completely comfortable and competent while operating the product, intend this product for use.

Persons with any mental or physical conditions that may make them susceptible to injury, impair their physical dexterity or mental capabilities to recognize, understand, and follow safety instructions, and to be able to understand the hazards inherent in a product’s use, should not use or be permitted to use products inappropriate for their abilities. Persons with heart conditions, head, back or neck ailments (or prior surgeries to these areas of the body), or pregnant women, should be cautioned not to operate this product.

**NOTICE:** This manual contains many warnings and cautions concerning the consequences of failing to maintain, inspect or properly use your electric ride- on product. Because any incident can result in serious injury or even death, we do not repeat the warning of possible serious injury or death each time such a possibility is mentioned.

## CHECK AND MAINTAIN DXT ELECTRIC DRIFT TRIKE

Before use, check to confirm that any and all chain guards or other covers and guards are in place and in serviceable condition. Check that the parts are functioning properly, that the main driving tire is inflated properly and has sufficient tread remaining. The DXT Electric Drift Trike should be maintained and repaired in accordance with the manufacturer’s

specifications, using only the manufacturer’s authorized replacement parts, and should not be modified from the manufacturer’s original design and configuration. Replace worn or broken parts immediately.

- Always wear safety equipment, such as helmet, wrist guards, gloves, knee pads and elbow pads. Recognize that wrist guards may impair your ability to properly grip the handlebars. Always wear a helmet when riding your the DXT Electric Drift Trike and keep the chinstrap securely buckled.
- Always wear shoes.
- A parent’s decision to allow his or her child to ride this product should be based on the child’s maturity, skill and ability to follow rules.
- This DXT Electric Drift Trike was manufactured for performance and durability, but it is not impervious to damage. Trick riding can overstress or damage any product, including this the DXT Electric Drift Trike, and the rider assumes all risks associated with high stress activity.
- Ride on smooth, paved surfaces away from motor vehicles and other hazards; riding on open public roads is dangerous.
- Avoid streets and surfaces with water, sand, gravel, dirt, leaves and other debris.
- Loose or wet surfaces may further enhance risks when using this product including braking.
- Install safety flag to increase visibility to others when riding.
- Never hitch a ride with a vehicle
- Do not ride at night or in reduced visibility conditions.
- Do not stand while riding.
- Sudden braking may result in being thrown forward.
- Use extra caution on steep or long hills as the rider can gain speed quickly. Avoid excessive speeds as risks of loss of control, or of collisions or falls, will be greater.
- Practice and develop drifting skills on large flat, smooth surfaces away from motor vehicles and other hazards.
- Check and obey all local traffic laws and regulations.
- Watch out for pedestrians.
- Check and secure all fasteners before every ride.
- Do not exceed 198 lb (90 kg) total weight on the DXT Electric Drift Trike.
- Do not allow children under age 16 to use the DXT Electric Drift Trike.
- Rider weight does not necessarily mean rider’s size is appropriate to fit or maintain control of the DXT Electric Drift Trike.

# SAFETY WARNINGS

## ACCEPTABLE RIDING PRACTICES AND CONDITIONS

Adult supervision is recommended. Electric drift trikes are meant to be used only in controlled environments free of potential traffic hazards. Do not allow rider to ride an electric drift trike in any areas where vehicle traffic is present. Rider must maintain a hold of the handlebars at all times. Never allow more than one rider at a time to ride an electric drift trike. Never use near steps, sloped driveways, hills, roadways, alleys or swimming pool areas. Do not ride an electric drift trike in wet weather. Electric drift trikes are intended for use on solid, clean and dry surfaces such as pavement or level ground without loose debris such as rocks or gravel. Wet, slick or uneven and rough surfaces may impair braking traction, and contribute to possible accidents. Do not ride an electric drift in mud, ice, puddles or water. Avoid excessive speeds that can be associated with downhill rides. Never risk damaging surfaces such as carpet or flooring by use of an electric drift trike indoors. Do not ride at night or when visibility is impaired.

Aggressive riding reduces your ability to maneuver and control. Take necessary precautions and practice in a safe area.

You will see people on TV and videos doing tricks or stunts. These are people who have been practicing a long time and accept the risks of trick riding activity. Do not assume that you can attempt to do the same tricks without great risk.

## PROPER RIDING ATTIRE

Always ensure rider is wearing proper protective equipment, such as an approved safety helmet. A helmet may be legally required by local law or regulation in your area. Always wear shoes and keep shoelaces tied and out of the way of the wheels. Never ride barefooted or in sandals. Long pants are recommended and may reduce risk of abrasion if legs come in contact with wheels when riding.

**⚠ WARNING:** ALWAYS INSPECT ELECTRIC DRIFT TRIKE PRIOR TO RIDING. Properly inspecting and maintaining your electric drift trike can reduce the risk of injury. Always inspect your drift trike before riding and regularly maintain it.

**⚠ WARNING:** CHECK LOCAL LAWS REGARDING USE. Check local laws and regulations to see where and how you may use your drift trike legally. In many states and local areas riders are required BY LAW to wear a helmet. Check local laws and regulations regarding laws governing helmet use and electric drift trike operation in your area.

**FAILURE TO USE COMMON SENSE AND HEED THE ABOVE WARNINGS FURTHER INCREASES RISK OF SERIOUS INJURY. USE AT YOUR OWN RISK AND WITH APPROPRIATE AND SERIOUS ATTENTION TO SAFE OPERATION. USE CAUTION.**

---

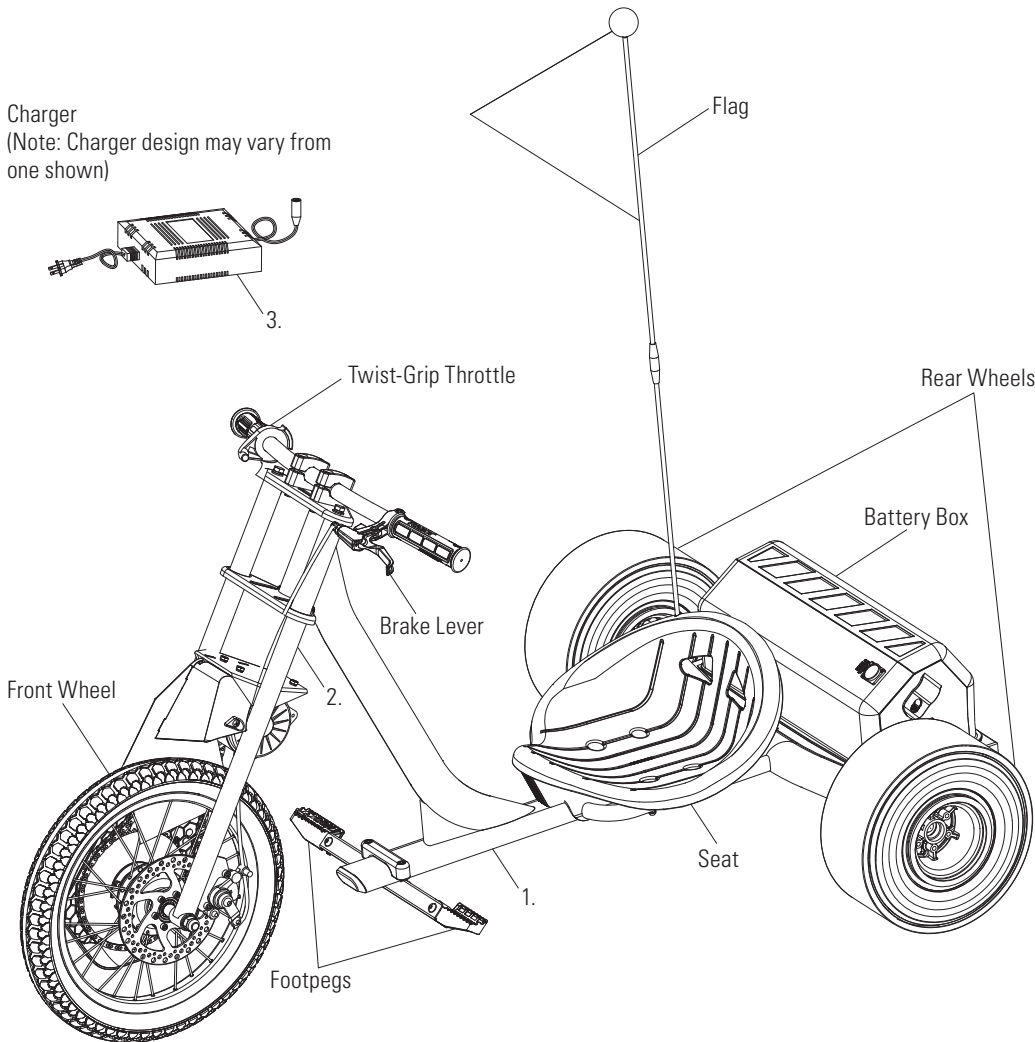
**Need Help?** Visit our website for replacement parts, product support, a list of authorized service centers in the US and customer service contact information at [www.razor.com](http://www.razor.com). Please have the product I.D. code (located on the white label of your product) available for better assistance. Additional Customer Service contact information is listed at the back of this manual.

# BEFORE YOU BEGIN

Remove contents from box and check parts against parts diagram found on page 15. Remove the separators that protect the components from damage during shipping. Inspect the contents of the box for scratches in the paint or dents that may have occurred during shipping. Because the DXT Electric Drift Trike was partially assembled and packed at the factory there should not be any problems, even if the box has a few scars or dents.

## Estimated Assembly and Set-Up Time

Allow up to 15-20 minutes for assembly. **Two (2) person assembly recommended.**  
Allow up to 12 hours for charge (**see page 7 for charging information**).



**⚠ WARNING:** DO NOT USE NON-RAZOR PRODUCTS WITH YOUR DXT ELECTRIC DRIFT TRIKE. The DXT Electric Drift Trike has been built to certain Razor design specifications. The original equipment supplied at the time of sale was selected on the basis of its compatibility with the frame, fork and all other parts. Certain aftermarket products may not be compatible and will void your warranty.

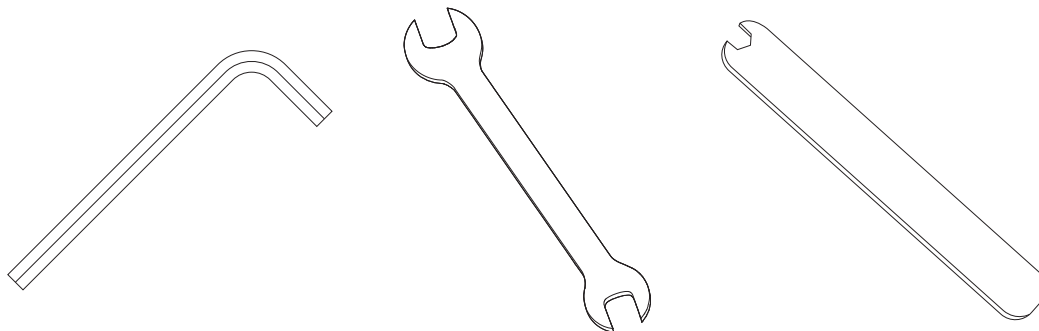
**⚠ WARNING:** Safety flag is intended to increase rider's visibility to others. Do not bend excessively (flag can break if over stressed) nor remove from seat when riding.

### Product ID Locations:

(See locations to the left)

1. Frame (underneath unit)
2. Front Fork
3. Charger
4. Box - Side of UPC (not shown)

## Required Tools



Two (2) 5 mm Allen Wrenches  
6 mm Allen Wrench

13 mm Wrench

Spoke Tensioner

### Box Contents:

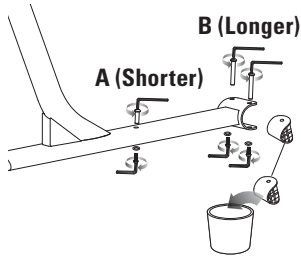
- DXT Electric Drift Trike
- Flag
- Charger
- Tools
- Owner's Manual

# ASSEMBLY AND SET-UP

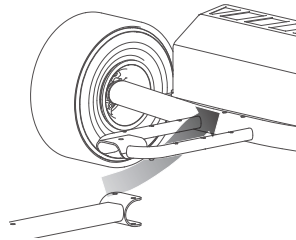
Turn power switch "OFF" before beginning repair or maintenance procedures.

## □ Frame Assembly

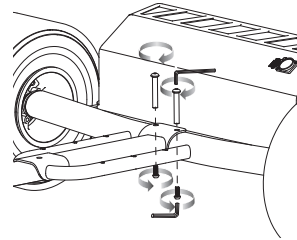
**Required Tools:** Two (2) 5 mm Allen Wrenches



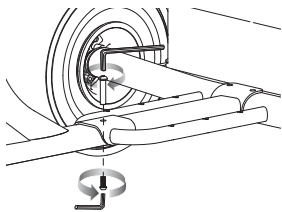
**1** Using two (2) 5 mm Allen wrenches, remove the three (3) coupling bolts from the downtube. Remove and discard the plastic insert.



**2** Connect the downtube to the rear frame and align the holes on the downtube with the holes on the rear frame.



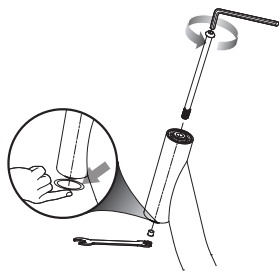
**3** Re-insert the two (2) longer coupling bolts (B) through downtube and rear frame and tighten securely in place.



**4** Re-insert the one (1) shorter coupling bolt (A) through the center frame and downtube and tighten securely in place.

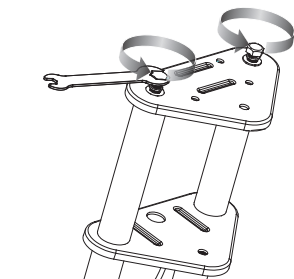
## □ Attaching the Front Fork

**Required Tools:** 5 mm Allen Wrench and 13 mm Wrench

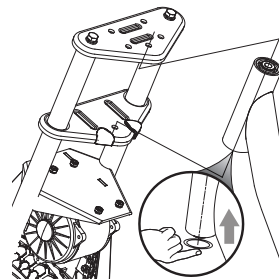


**1** Using a 5 mm Allen wrench and a 13 mm wrench, remove the steering bolt and locknut from the downtube.

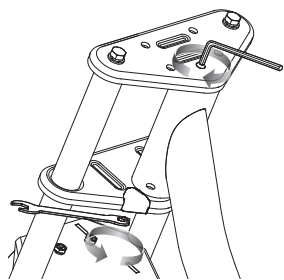
**Note:** Place finger underneath the downtube to prevent the bottom bushing from falling out and getting lost.



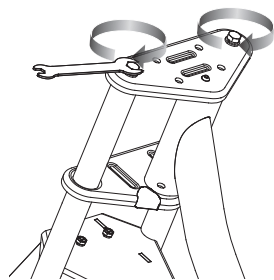
**2** Using a 13 mm wrench, loosen the two (2) bolts on the upper crown.



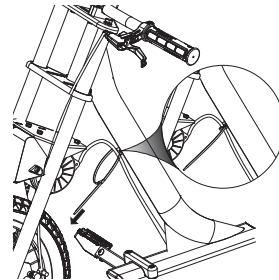
**3** Re-insert the bottom bushing into the downtube then carefully slide the downtube between the upper and lower crowns.



**4** Align the downtube with the hole in the upper and lower crown and re-insert the steering bolt. Securely tighten using a 5 mm Allen wrench and a 13 mm wrench.



**5** Re-tighten the two (2) 13 mm bolts on the upper crown.



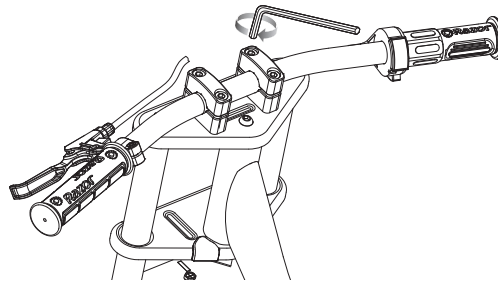
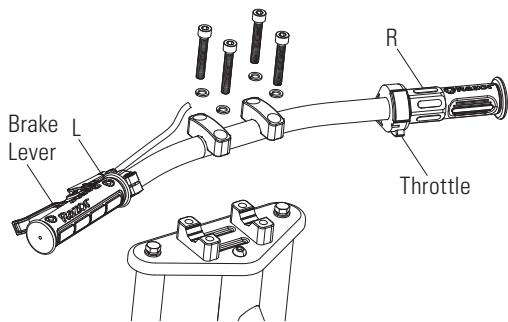
**6** Use zip tie to keep cable wires from rubbing against the front wheel when unit is in motion.

**⚠ WARNING:** Failing to properly tighten the steering bolt that attaches the front fork assembly to the frame assembly can cause you to lose control and fall.

# ASSEMBLY AND SET-UP

## □ Attaching the Handlebars

**Required Tool:** 6 mm Allen Wrench



**1** Place handlebars between the upper and lower handlebar clamps.

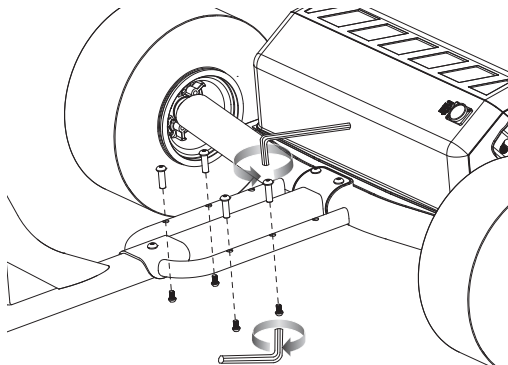
**Note:** Make sure brake lever is on the left (from sitting position).

**2** Align the handlebars parallel to the front fork. Using a 6 mm Allen wrench, tighten all four (4) bolts securely to the upper crown.

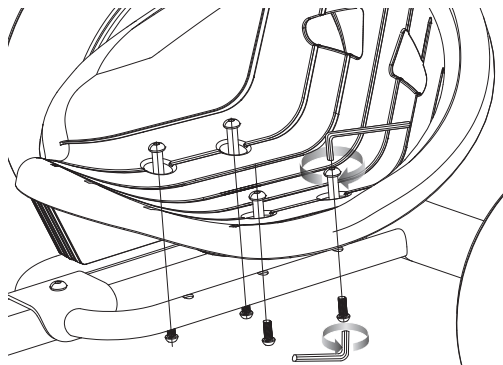
**Note:** When properly tightened, the handlebars should not move forward or backward.

## □ Attaching the Seat

**Required Tools:** Two (2) 5 mm Allen Wrenches



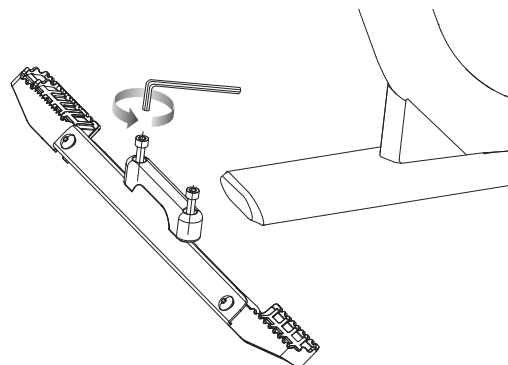
**1** Using two (2) 5 mm Allen wrenches, remove the four (4) coupling bolts from the frame.



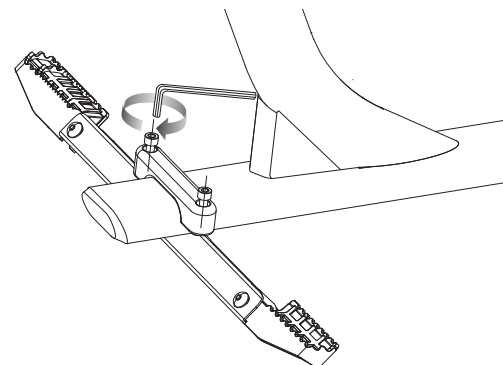
**2** Place the seat at desired position. Align the four (4) holes in the seat with the holes in the frame. Re-insert the coupling bolts and tighten bolts until seat is securely in place.

## □ Attaching the Foot Pegs

**Required Tool:** 5 mm Allen Wrench



**1** Using a 5 mm Allen wrench, loosen the two (2) coupling bolts on the foot pegs.

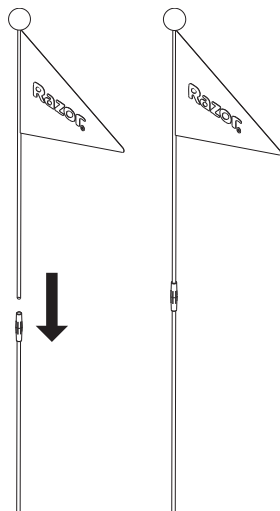


**2** Slide the foot pegs onto the front of the downtube, as shown, and tighten bolts securely.

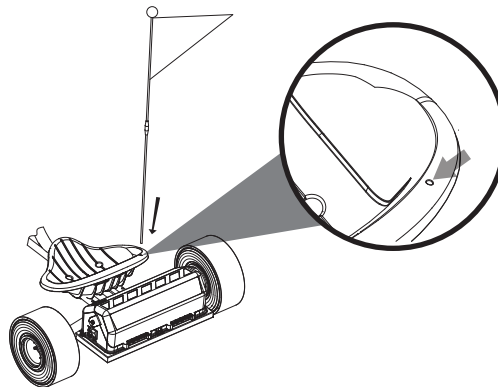
**Need Help?** Visit our website for replacement parts, product support, a list of authorized service centers in the US and customer service contact information at [www.razor.com](http://www.razor.com). Please have the product I.D. code (located on the white label of your product) available for better assistance. Additional Customer Service contact information is listed at the back of this manual.

# ASSEMBLY AND SET-UP

## □ Attaching the Flag



**1** Assemble the flag as shown.

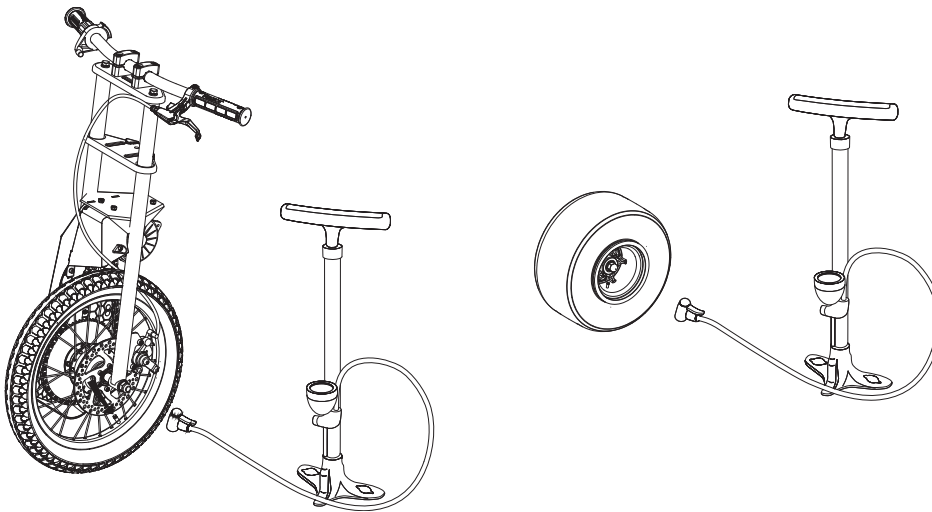


**2** Insert flag into fixed hole located on seat.

## □ Inflating the Tire

The tires are inflated when shipped, but it invariably may lose some pressure between the point of manufacturing and your purchase. **Always inflate the tires to the correct PSI before first time use.**

Lower air pressure can result in a shorter ride time. Periodically check the tires. Reinflate when needed.



**1** Using a bicycle tire pump equipped for a Schrader valve, inflate the tires to the PSI indicated on the sidewall of the tire.

**⚠ WARNING:** Do not use the DXT Electric Drift Trike for the first time until you have inflated the tires to the correct PSI. Failure to do so may damage your DXT Electric Drift Trike and void your warranty.

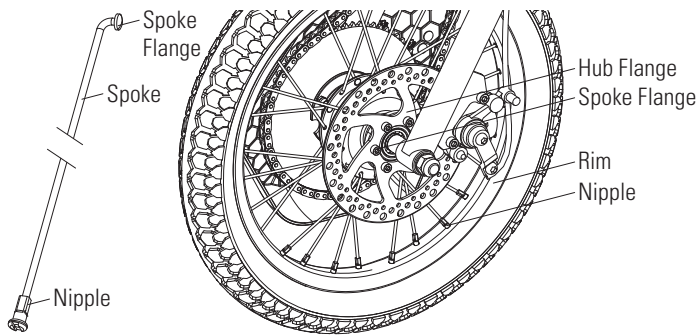
**⚠ WARNING:** Do not overinflate, as this could damage the tires or wheels.

**Note:** The pressurized air supplies found at gasoline stations are designed to inflate high-volume automobile tires. If you decide to use such an air supply to inflate your tires, first make sure the pressure gauge is working, then use very short bursts to inflate to the correct PSI. If you inadvertently overinflate the tire, release the excess pressure immediately.

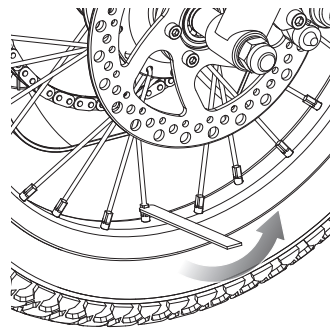
**Need Help?** Visit our website for replacement parts, product support, a list of authorized service centers in the US and customer service contact information at [www.razor.com](http://www.razor.com). Please have the product I.D. code (located on the white label of your product) available for better assistance. Additional Customer Service contact information is listed at the back of this manual.

# ASSEMBLY AND SET-UP

## □ Checking Spoke Tension



**1** Verify spoke tension by grasping and shaking each spoke. Spoke should not be loose from hub. Look for any play between spoke flanges where it mates with hub. Try to turn nipple using your fingers. You should not be able to spin any nipple by hand. If one or more spokes are loose, or if you can turn any nipple using your fingers, all spokes must be checked and need to be tightened with a spoke tightener.



**2** Start with spoke closest to tire valve and tighten each nipple. In sequence, exactly 1/4 to 1/2 turn. A single 1/4 to 1/2 turn may not be enough to bring the spokes into proper tension. Continue tightening all spokes in sequence, no more than 1/2 turn until all spokes are tight.

**⚠ WARNING:** Regularly check the spoke tension and retighten the spokes whenever loose. If you have any doubt, ask an experienced motorcycle or bicycle mechanic to inspect your spokes to determine if the spokes need tightening or adjusting.

**Note:** Tightening each nipple more than a 1/2 turn each can cause the wheel to become distorted and wobbly, thus permanently damaging the wheel.

# CHARGING THE BATTERY

**Your DXT Electric Drift Trike may not have a fully charged battery; therefore you must charge the battery prior to use.**

- Initial charge time: 12 hours.
- Recharge time: up to 12 hours, even if the light turns green. Recommended maximum charging time is 24 hours.
- Always charge the battery immediately after riding.
- Fully charge battery before storing for extended periods of time.
- Unplug charger from the wall outlet when not in use.
- Failure to recharge battery periodically may result in a battery that will not accept a charge.
- Make sure the power switch is turned OFF when

unit is not in use. If the power switch is left on for an extended period of time, the battery may reach a stage at which it will no longer hold a charge.

- To ensure long battery life, never store the product in freezing or below freezing temperatures! Freezing will permanently damage the battery.
- Run time: Up to 60 minutes of continuous ride time. Run time may vary depending on riding conditions, rider weight, climate, and/or proper maintenance.
- Constant stopping and starting may shorten ride time.
- Battery life can vary depending on proper maintenance and usage of the unit.

**⚠ WARNING:** Use ONLY with the recommended charger. Batteries are only to be charged under adult supervision. The charger is not a toy. Always disconnect the charger before wiping down and/or cleaning the DXT Electric Drift Trike with a damp cloth.

The charger supplied with the DXT Electric Drift Trike should be regularly examined for damage to the cord, plug, enclosure and other parts. In the event of such damage, the DXT Electric Drift Trike must not be charged until it has been repaired or replaced.

Chargers have built-in overcharge protection to prevent battery from being overcharged.

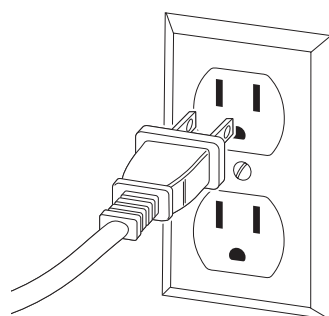
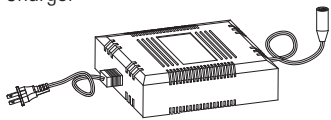
**Note:** If the charger gets warm during regular use, this is a normal response and is no cause for concern. If your charger does not get warm during use, it does not mean that it is not working properly.

Wall outlet - Green (stand by)  
Wall outlet and Unit - Red (Charging)  
Charging complete - Green (Charged)

**Note:** Continue charging unit even if light turns green prior to 12 hours.

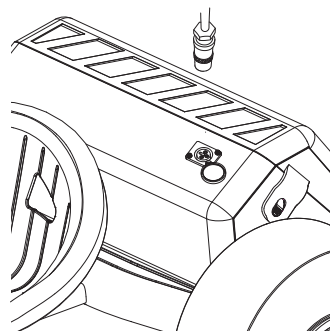
**⚠ WARNING:** Failure to recharge the battery at least once a month may result in a battery that will no longer accept a charge.

Charger



**1** Plug the charger plug into wall outlet. The light on the charger should be green.

**Note:** If green light (LED) does not turn on, try a different outlet.



**2** Plug the charger into the charger port on the product. Make sure the power switch is in the OFF position. The light on the charger should turn red during charging. The light will turn green again when charging is complete.

**Note:** Make sure power is turned OFF when unit is not in use. If the power switch is left on for an extended period of time, the battery may reach a stage at which it will no longer hold a charge.

## PRE-RIDE CHECKLIST



### Brake

Check the brake for proper function. When you squeeze the brake lever, the brake should provide positive braking action. When you apply the brake with the throttle on/engaged, the brake cut-off switch should cut power to the motor.



### Tire/Wheels

Periodically inspect the tire/wheels for excess wear and replace as needed. Regularly check the tire pressure and inflate as needed. If you get a flat tire, the inner tube can be patched or a new tube can be purchased from Razor or an authorized repair center.



### Frame, Fork and Handlebars

Check for cracks or broken connections. Although broken frames are rare, it is possible for an aggressive rider to run into a curb or object and wreck, bend or break the frame. Get in the habit of inspecting your product on a regular basis.



### Hardware/Loose Parts

Check and secure all fasteners before every ride. There should not be any unusual rattles or sounds from loose parts or broken components. If the unit is damaged, do not ride. **Reference "Safety Warnings" on pages 1 and 2 of this manual.**



### Safety Gear

Always wear proper protective gear, such as an approved safety helmet. Elbow pads and kneepads are recommended. Always wear closed toe shoes (lace-up with rubber soles) and keep shoelaces tied and out of the way of the wheels. **NEVER RIDE BAREFOOTED OR IN SANDALS.**



### Laws and Regulations

Always check and obey any local laws or regulations.



### Insurance

Do not assume that your existing insurance policies necessarily provide coverage for product use. Check with your insurance company for information regarding insurance.



### Storage

Prolonged exposure to UV rays, rain and the elements may damage the enclosure materials, store indoors when not in use.



### Be Careful!

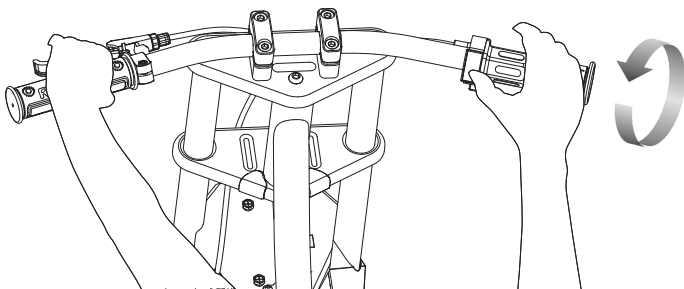
Use extra caution on steep or long hills. Avoid excessive speeds. Never ride in traffic or on the street and watch your surroundings for pedestrians, bikers, boarders and skaters.

Maintain a hold on the handlebars at all times.

## USAGE

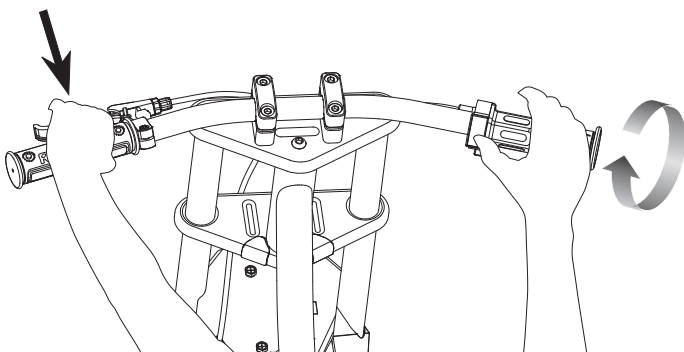
### Riding the DXT Electric Drift Trike

- Place both hands on the handlebars and both feet on the foot pegs.
- Accelerate the DXT Electric Drift Trike to desired riding speed.
- Coast when drifting.
- Straighten front wheel before accelerating when a drift is completed.



### Stopping the DXT Electric Drift Trike

- To stop the unit, apply the hand brake, by squeezing brake lever, until the unit comes to a complete stop.



**Note:** Keep both feet on the foot pegs when unit is in motion.

**Note:** As an additional safety feature, this product is designed to cut power to the motor when the hand brake is applied.

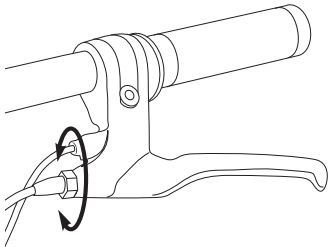
# REPAIR AND MAINTENANCE

## Turn power switch "OFF" before beginning repair or maintenance:

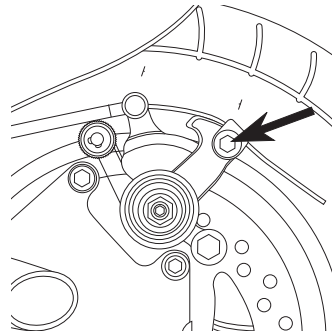
- Read the instructions
- Remove charger plug
- Turn the power switch **OFF**
- Secure the product under repair
- Exercise caution around exposed parts
- Contact Razor customer service if unsure about any repair or maintenance

## □ Adjusting the Brake

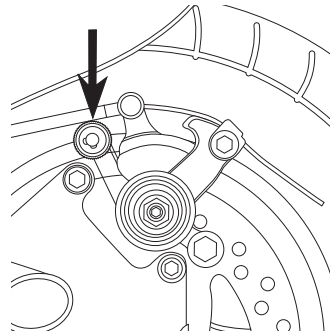
**Required Tool:** 5 mm Allen Wrench



**1** To adjust brake cable play, thread the brake lever adjuster in or out 1/4 to 1/2 turn until the desired brake adjustment is attained. Most adjustments are complete at this step. If brake still needs further adjustment, proceed to step 2.



**2** If the brake has too much slack, loosen the rear anchor bolt with a 5 mm Allen wrench and pull the brake cable tighter. The distance between the end of the brake cable and the anchor bolt should be between 37 mm and 44 mm.



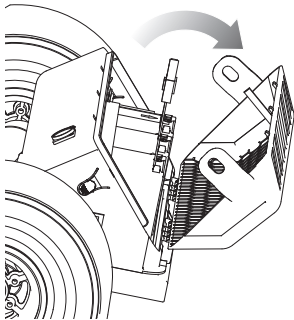
**3** If the brake disc is rubbing on the brake pads, use your fingers to twist the caliper adjuster in either direction until disc is centered between the brake pads.

**⚠ WARNING:** The brake is capable of causing the DXT Electric Dift Trike to skid the tire throwing an unsuspecting rider. Practice in an open area free from obstacles until you are familiar with the brake function. Avoid skidding to a stop as this can cause you to lose control or damage the rear tires.

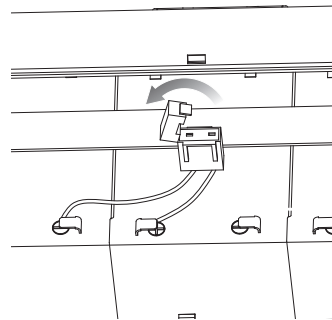
**Testing the Brake.** To use the brake, squeeze the brake lever to increase the pressure on the brake. The brake lever is fitted with a cable adjuster to compensate for cable stretch and/or to fine-tune the lever movement to brake engagement. If brake is not engaging properly, follow instructions for adjusting the brake.

## □ Replacing the Fuse

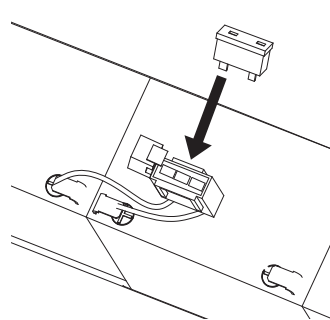
Turn power switch "OFF".



**1** Open battery compartment located behind the seat.

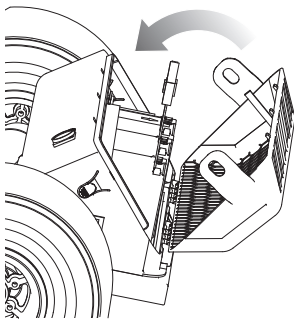


**2** Locate fuse box on top of battery. Open the fuse cover to expose the fuse.



**3** Remove damaged or burned out fuse and replace with a new one of equal amperage. Close the fuse box.

**⚠ WARNING:** To prevent shock, please follow the instructions accordingly and do not skip or combine any steps.



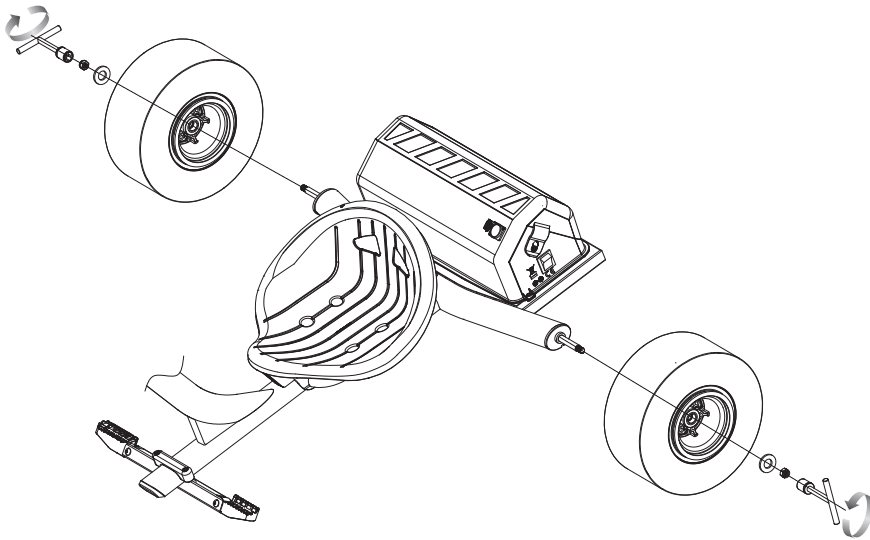
**4** Close battery compartment.

**Need Help?** Visit our website for replacement parts, product support, a list of authorized service centers in the US and customer service contact information at [www.razor.com](http://www.razor.com). Please have the product I.D. code (located on the white label of your product) available for better assistance. Additional Customer Service contact information is listed at the back of this manual.

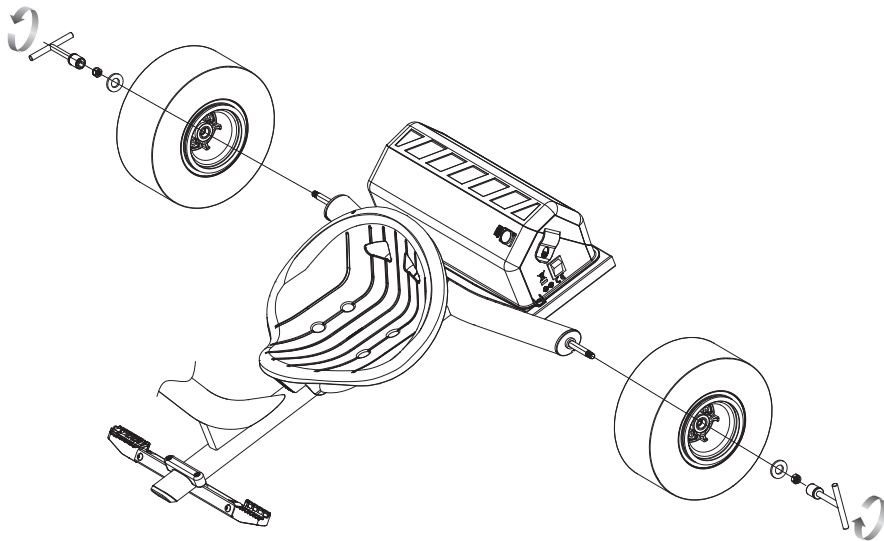
# REPAIR AND MAINTENANCE

## □ Rear Wheel Replacement

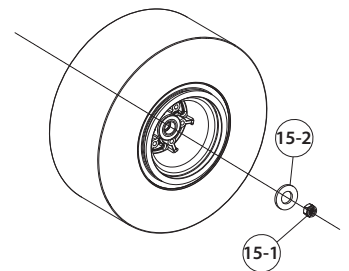
**Required Tool:** 16 mm Socket Wrench (not included)



**1** Loosen the 16 mm locknut and remove rear wheel(s).



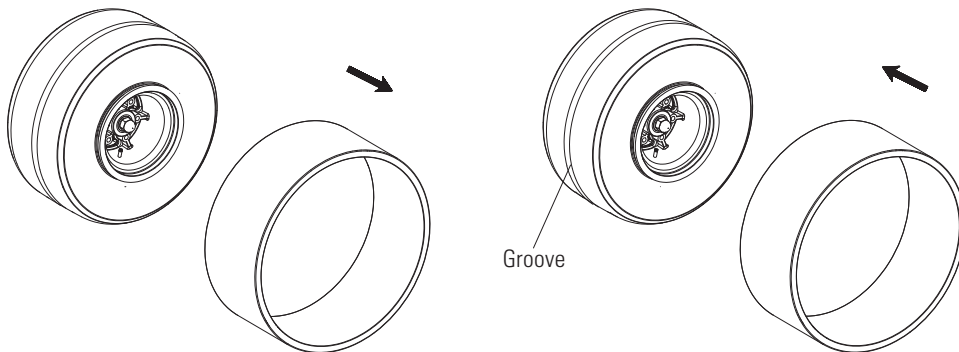
**2** Install replacement wheel(s) and tighten securely in place. Note the sequence of the hardware.



Rear Wheel Hardware Sequence

- 15-1. Locknut
- 15-2. Flat Washer

## □ Rear Wheel Sleeve Replacement



**1** Deflate tire and remove sleeve.

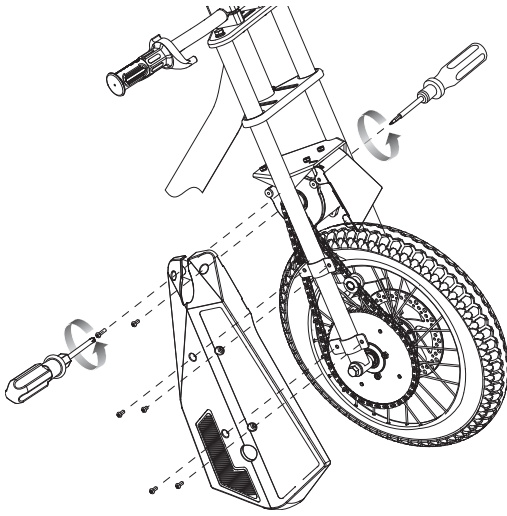
**2** Slide replacement sleeve onto rear wheel. Align the groove on the wheel with the inner lining of the sleeve. Re-inflate tire to correct PSI (indicated on sidewall).

**Need Help?** Visit our website for replacement parts, product support, a list of authorized service centers in the US and customer service contact information at [www.razor.com](http://www.razor.com). Please have the product I.D. code (located on the white label of your product) available for better assistance. Additional Customer Service contact information is listed at the back of this manual.

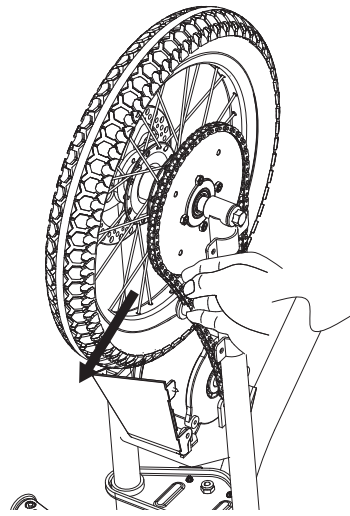
# REPAIR AND MAINTENANCE

## □ Front Wheel and Chain Replacement

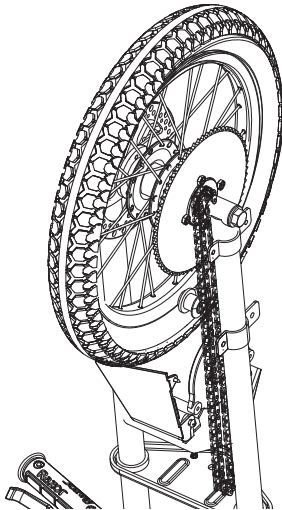
**Required Tools:** 15 mm Wrench, 19 mm Wrench, Phillips Screwdriver (not included)



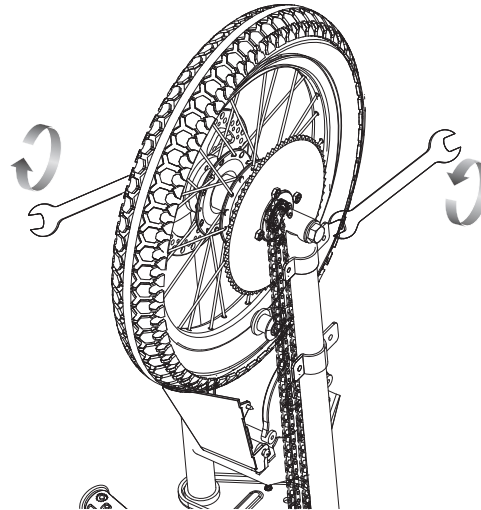
**1** Using a Phillips screwdriver, loosen the seven (7) screws on the chain guard.



**2** Loosen the tension from the chain tensioner.



**3** Remove the chain from around the sprocket on the front wheel.

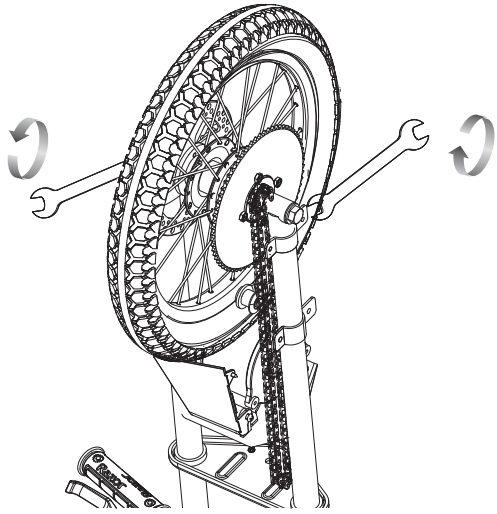


**4** With a 15 mm and a 19 mm wrench remove the axle bolt. Remove front wheel.

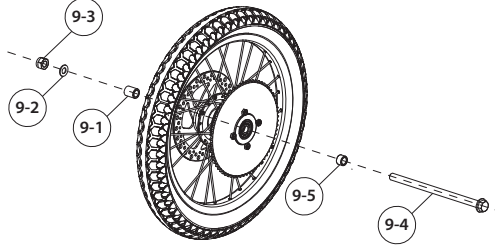
# REPAIR AND MAINTENANCE

## □ Front Wheel and Chain Replacement (Continued)

**Required Tools:** 5 mm Allen Wrench, 15 mm Wrench (not included), 19 mm Wrench (not included)



**5** Re-install axle bolt and tighten front wheel securely to front fork.



### Front Wheel Hardware Sequence

- 9-3. 19 mm Lock Nut
- 9-2. Flat Washer

### Fork

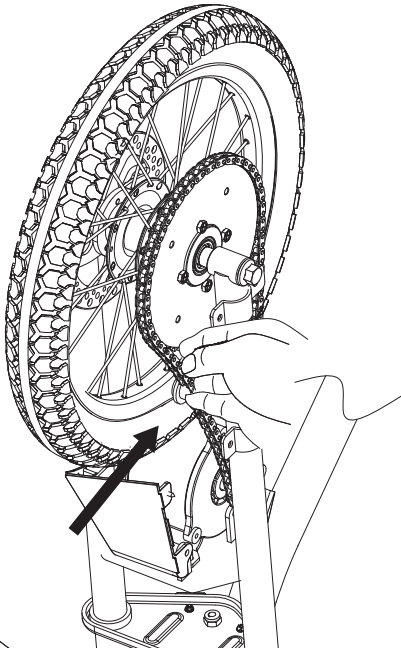
- 9-1. Large Spacer

### Front Wheel

- 9-5. Small Spacer

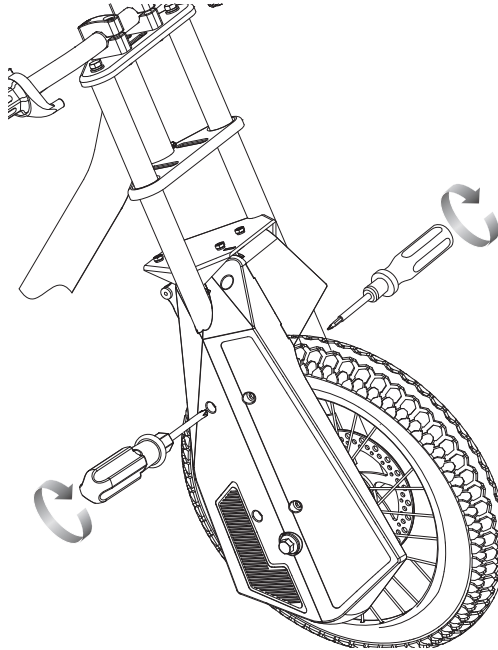
### Fork

- 9-4. 15 mm Axle Bolt



**6** Re-attach chain around the front wheel and the motor sprocket.

**Note:** Make sure the chain tensioner is resting on the outer side of the chain.



**7** Re-attach chain guard.

# REPAIR AND MAINTENANCE

## ❑ Battery Care and Disposal

Do not store in freezing or below freezing temperatures. To properly maintain your battery and ensure maximum battery life, carefully read the "Charging the Battery" section on page 5 of this owner's manual.



CONTAINS SEALED LEAD-ACID BATTERIES. BATTERIES MUST BE RECYCLED.

**Disposal:** Your Razor product uses sealed lead-acid batteries which must be recycled or disposed of in an environmentally safe manner. Do not dispose of a lead-acid battery in a fire; the battery may explode or leak. Do not dispose of a lead-acid battery in your regular household trash. The incineration, land filling or mixing of sealed lead-acid batteries with household trash is prohibited by law in most areas. Return exhausted batteries to a federal or state approved lead-acid battery recycler or a local seller of automotive batteries. If you live in Florida or Minnesota, it is prohibited by law to throw away lead-acid batteries in the municipal waste stream.

## ❑ Charger

The charger supplied with the DXT Electric Drift Trike should be regularly examined for damage to the cord, plug, enclosure and other parts and in the event of such damage, the product must not be charged until it has been repaired or replaced.

Use ONLY with the recommended charger.

## ❑ Cleaning

Wipe with a damp cloth to remove dirt and dust. Do not use industrial cleaners or solvents, as they may damage the surfaces. Do not use alcohol, alcohol-based or ammonia-based cleaners, as they may damage or dissolve the plastic components or soften the decals or decal adhesive.

## ❑ Wheels and Bearings

Under normal circumstances and conditions, Razor wheels and wheel bearings are maintenance free. Nonetheless, it is the responsibility of the owner or guardian to periodically inspect the wheels for wear and tear, the axle for proper tightness, bearings for side-to-side play, and for loose parts. When a wheel develops play, this is an indication of excess wear and replacement is necessary. Replace immediately with only genuine Razor wheels. Worn, tires, wheels/bearings are considered normal wear-and-tear and are not covered by the Razor Warranty. Wheels other than genuine Razor wheels may not be compatible with your DXT Electric Drift Trike. The use of anything other than genuine Razor replacement parts may affect your safety and will void your warranty.

## ❑ Replacement Parts

The most frequently requested replacement parts are available for purchase at some Razor retail partners. For the complete selection of replacement parts visit [www.razor.com](http://www.razor.com).

## ❑ Repair Centers

For a list of authorized Razor repair centers:

- Check online at [www.razor.com](http://www.razor.com).
- Additional Customer Service contact information is listed on the back of this manual.



### In the US and Canada only:

For more information regarding recycling of rechargeable batteries, call toll free 1-800-822-8837, or visit <http://www.call2recycle.org>

**⚠ WARNING:** If a battery leak develops, avoid contact with the leaking acid and place the damaged battery in a plastic bag. Refer to the disposal instructions at left. If acid comes into contact with skin or eyes, flush with cool water for at least 15 minutes and contact a physician.

**⚠ WARNING:** Battery posts, terminals and related accessories contain lead and lead compounds. **Wash your hands after handling.**

**Need Help?** Visit our website for replacement parts, product support, a list of authorized service centers in the US and customer service contact information at [www.razor.com](http://www.razor.com). Please have the product I.D. code (located on the white label of your product) available for better assistance. Additional Customer Service contact information is listed at the back of this manual.

# DXT ELECTRIC TROUBLESHOOTING

\*Product(s) should be turned **OFF** and fully charged prior to doing any Troubleshooting.

**NOTE:** All troubleshooting steps should be performed by an adult only.

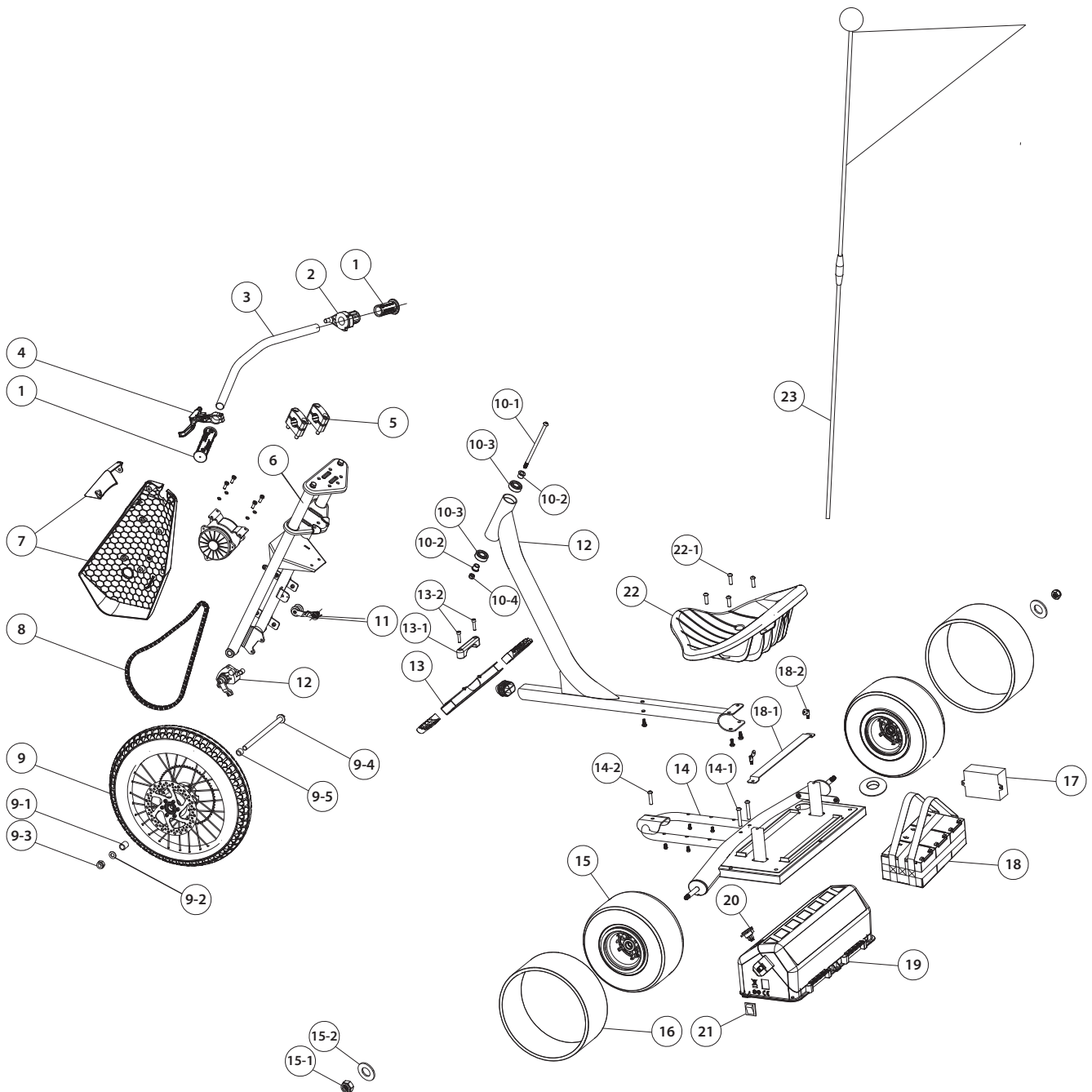
<b>Problem</b>	<b>Possible Cause</b>	<b>Solution</b>
Electric drift trike does not run	Undercharged battery	Charge the battery. A new battery should have been charged for at least 12 hours before using the electric drift trike for the first time and up to 12 hours after each subsequent use.  Check all connectors. Make sure the charger connector is tightly plugged into the charging port, and that the charger is plugged into the wall.  Make sure power flow to the wall outlet is on.
	Loose wires or connectors	Check all wires and connectors to make sure they are tight.  The fuse will burn out and automatically shut off the power if the motor is overloaded.
Electric drift trike was running but suddenly stopped	Burned-out fuse	An excessive overload, such as too heavy a rider or too steep a hill, could cause the motor to overheat. Replace the fuse with a new one of equal amperage. Correct the conditions that caused the fuse to burn out and avoid repeatedly burning out fuse (Refer to page 9 of this manual).  Contact your local Razor authorized service center for diagnosis and repair.
Short run time (less than 15 minutes per charge)	Motor or electrical switch damage	Charge the battery. A new battery should have been charged for at least 12 hours before using the electric drift trike for the first time and up to 12 hours after each subsequent use.
	Undercharged battery	Check all wires and connectors. Make sure the battery connector is tightly plugged into the charger connector, and that the charger is plugged into the wall.
	Tires are not properly inflated	The tires are inflated when shipped but they invariably will lose some pressure between the point of manufacturing and your purchase. Refer to instructions on page 6 of this manual to properly inflate tires.
	Battery is old and will not accept full charge	Even with proper care, a rechargeable battery does not last forever. Battery life can vary depending on proper maintenance and usage of unit. Replace only with a Razor replacement battery.
	Brake is not adjusted properly	Refer to brake adjustment instructions on page 9 of this manual.
Electric drift trike runs sluggishly	Riding conditions are too stressful	Use only on solid, flat, clean and dry surfaces, such as pavement or level ground.
	Tires are not properly inflated	The tires are inflated when shipped, but they invariably will lose some pressure between the point of manufacturing and your purchase. Refer to instructions on page 6 of this manual to properly inflate tires.
	Electric drift trike is overloaded	Make sure you do not overload the electric drift trike by allowing more than one rider at one time, exceeding the maximum weight limit, going up too steep a hill or towing objects behind the product.
Sometimes the product doesn't run, but other times it does.	Loose wires or connectors	Check all wires around the motor and all connectors to make sure they are tight.
	Motor or electrical switch damage	Contact your local Razor authorized service center for diagnosis and repair.
Electric drift trike does not stop when applying the brake	Brake is not adjusted properly	Refer to instructions on page 9 of this manual to properly adjust brake.
Electric drift trike makes loud noises or grinding sounds	Chain is too dry.	Apply a lubricant such as 3 in 1™ or Tri-Flow™ to the chain.

For more troubleshooting tips, a list of available replacement parts or to locate an authorized Service Center in your area, visit our website at [www.razor.com](http://www.razor.com) or call toll free +1 866-467-2967 to speak to a live Customer Service Representative.

# DXT ELECTRIC PARTS

Keep your product running for years with genuine Razor parts. Visit our website or e-mail us for more information on spare part availability. (Specifications subject to change without notice.)

- |                                   |   |   |
|-----------------------------------|---|---|
| 1. Handlebar Grips (x2)           | 10. Downtube                              | 15-2 Flat Washer (x2)                     |
| 2. Twist-Grip Throttle            | 10-1 Steering Bolt                        | 16. Sleeve (x2)                           |
| 3. Handlebars                     | 10-2 Bushing (x2)                         | 17. Control Module                        |
| 4. Brake Lever                    | 10-3 Bearing (x2)                         | 18. Battery (3-12v/12aH) with 30 amp fuse |
| 5. Handlebar Clamps (Upper/Lower) | 10-4 Locknut                              | 18-1 Battery Bracket                      |
| 6. Front Fork                     | 11. Chain Tensioner                       | 18-2 Battery Bracket Bolt (x2)            |
| 7. Chain Guard (Right/Left)       | 12. Disc Brake                            | 19. Battery Cover                         |
| 8. Chain                          | 13. Foot Pegs                             | 20. Charge Port                           |
| 9. Front Wheel                    | 13-1 Foot Peg Clamp                       | 21. On/Off Switch                         |
| 9-1 Large Spacer                  | 13-2 Coupling Bolts (x2)                  | 22. Seat                                  |
| 9-2 Flat Washer                   | 14. Rear Frame                            | 22-1 Seat Coupling Bolt (x4)              |
| 9-3 Locknut                       | 14-1 Rear Frame Coupling Bolt (Long)(x2)  | 23. Flag                                  |
| 9-4 Axle Bolt                     | 14-2 Rear Frame Coupling Bolt (Short)(x1) |   |
| 9-5 Small Spacer                  | 15. Rear Wheel (x2)                       |   |
|                                   | 15-1 Locknut (x2)                         |   |



**NOTICE: INSURANCE**

**YOUR INSURANCE POLICIES MAY NOT PROVIDE COVERAGE FOR ACCIDENTS INVOLVING THE USE OF THIS SCOOTER/ELECTRIC RIDE-ON PRODUCT. TO DETERMINE IF COVERAGE IS PROVIDED, YOU SHOULD CONTACT YOUR INSURANCE COMPANY OR AGENT.**



## FCC COMPLIANCE

This device complies with Part 15 of the FCC Rules. Operation is subject to the following two conditions: (1) This device may not cause harmful interference, and (2) this device must accept any interference received, including interference that may cause undesired operation.

**Note:** This equipment has been tested and found to comply with the limits for a Class B digital device, pursuant to part 15 of the FCC Rules. These limits are designed to provide reasonable protection against harmful interference in a residential installation. This equipment generates, uses and can radiate radio frequency energy and, if not installed and used in accordance with the instructions, may cause harmful interference to radio communications. However, there is no guarantee that interference will not occur in a particular installation. If this equipment does cause harmful interference to radio or television reception, which can be determined by turning the equipment off and on, the user is encouraged to try to correct the interference by one or more of the following measures:

- Reorient or relocate the receiving antenna.
- Increase the separation between the equipment and receiver.
- Connect the equipment into an outlet on a circuit different from that to which the receiver is connected.
- Consult the dealer or an experienced radio/TV technician for help.

**⚠ WARNING:** Changes or modifications to this product not expressly approved by Razor USA LLC, could void the user's authority to operate the equipment.

## WARRANTY

### Razor Limited Warranty

The manufacturer warrants this product to be free of manufacturing defects for a period of 90 days from date of purchase. This Limited Warranty does not cover normal wear and tear, wheel, or any damage, failure or loss caused by improper assembly, maintenance, storage or use of the electric scooter.

This Limited Warranty will be void if the product is ever:

- used in a manner other than for recreation or transportation;
- modified in any way;
- rented.

The manufacturer is not liable for incidental or consequential loss or damage due directly or indirectly to the use of this product.

Razor does not offer an extended warranty. If you have purchased an extended warranty, it must be honored by the store at which it was purchased.

For your records, save your original sales receipt with this manual and write the serial number below.

-----

## CUSTOMER SERVICE CONTACT INFORMATION

**Need Help?** Visit our website for replacement parts, product support, a list of authorized service centers in the US and customer service contact information at [www.razor.com](http://www.razor.com). Please have the product I.D. code (located on the white label of your product) available for better assistance. Additional Customer Service contact information is listed below:

### AMERICAS

Razor USA LLC  
P.O. Box 3610  
Cerritos, CA 90703  
USA

+1 866 467 2967  
Monday - Friday  
8:00 AM - 5:00 PM Pacific Time  
[customersupport@razorusa.com](mailto:customersupport@razorusa.com)

### EUROPE, MIDDLE EAST, AFRICA

Razor USA LLC (Europe)  
Handelsweg 2  
2742 RD Waddinxveen  
Netherlands

+44 (0) 120 267 2702  
[info@razoreu.com](mailto:info@razoreu.com)

### ASIA

Razor USA LLC (Asia)  
P.O. Box 3610  
Cerritos, CA 90703  
USA

+81 50 7579 6622  
[info@razor-asia.com](mailto:info@razor-asia.com)

### UNITED KINGDOM AND IRELAND

Razor USA LLC (UK)  
Unit 20  
Hartnoll Business Centre  
Post Hill, Tiverton  
Devon EX16 4NG  
UK

+44 (0) 120 267 2702  
[info@razoreu.com](mailto:info@razoreu.com)

### DISTRIBUTED IN AUSTRALIA BY:

Funtastic Limited  
Suite 2.01, Level 2  
315 Ferntree Gully Road  
Mount Waverley Vic 3149,  
Australia

+1 800 244 543  
[info@funtastic.com.au](mailto:info@funtastic.com.au)

### IMPORTED IN JAPAN BY B-PLUS ASIA CORP.

Razor USA LLC  
**THE RIBSTIK COMPANY**  
Kurokawa 3-1, Asaoku,  
Kawasaki, Kanagawa  
215-0035 JAPAN

+81 (0) 44 328 9057 Tel  
+81 (0) 44 328 9067 Fax  
[info@razor-asia.com](mailto:info@razor-asia.com)

Printed in China for Razor USA LLC.

Copyright © 2003-2020 Razor USA, LLC. All rights reserved. Razor® and the Razor logo design are among the registered trademarks of Razor USA LLC in the United States and/or select foreign countries. DXT™ and the DXT Electric logo are trademarks of Razor USA LLC.